

Woodpecker Brushless Endo Motor

Endo Pace

- **Lightweight handpiece**
Easy preparation
- **Brushless motor**
Strong power
- **10 times the service life of brush motor**

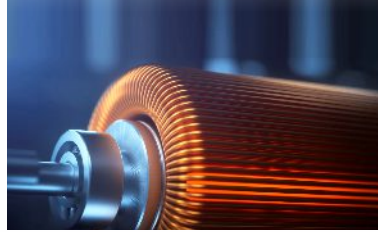


High performance brushless motor

High torque and fast response

More accurate and more stable output, enabling more efficient preparation

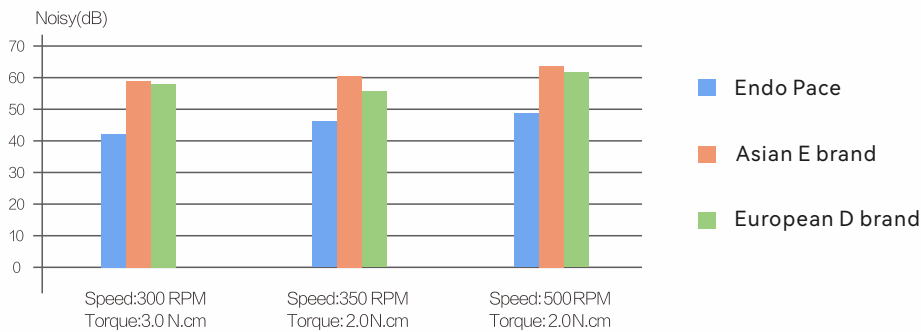
Speed: 100rpm-1500rpm
Torque: 0.4N.cm-4.2N.cm



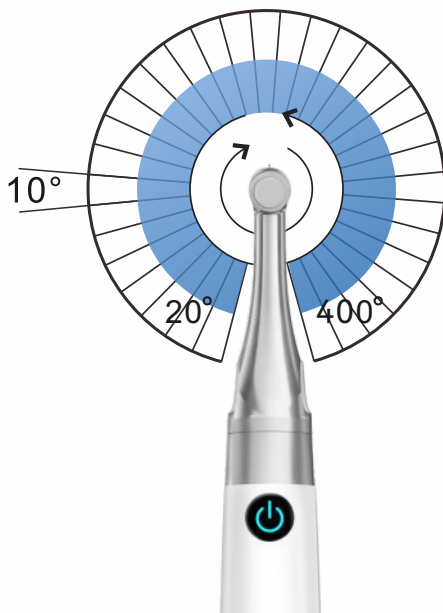
Low wear, low heat and longer service life

10 times the service life of brush motor.

Smoother rotation and lower noise.
Stable cutting can still be ensured at the narrow or curved apex.



Adjustable reciprocating angle with 10° interval
Adjustment range of forward and reverse reciprocating angle: 20°-400°
Accurate control of the rotation angle reduces the risk of instrument separation and enables more efficient and safer preparation.



6:1 mini contra-angle delivers broader operation field

Compact but powerful
6:1 speed ratio ensures low speed and stable rotation under high torque

Head height: 9.7mm
Head diameter: 8mm
Neck diameter: 6mm

360°rotatable contra-angle

More flexible operation, facilitating the preparation of teeth at different positions



Lightweight cordless handpiece offers better hand feeling

Weight: 106.8g (handpiece+contra-angle)

Control the handpiece with wireless signal, without the restraint of tail cord
Well-balanced design allows easier preparation

4 working modes guarantees safer and more efficient preparation

Forward rotation mode / Reverse rotation mode
Reciprocating mode / ATR mode

ATR mode

The file reciprocates per set angle after reaching the preset torque. Accurate control of the rotation angle reduces the risk of instrument separation and enables more efficient preparation.



Can be connected to an Apex Locator





The choice of millions of dentists worldwide